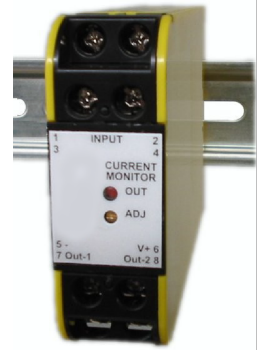


# Current Monitor v4

# BCM270

## Description

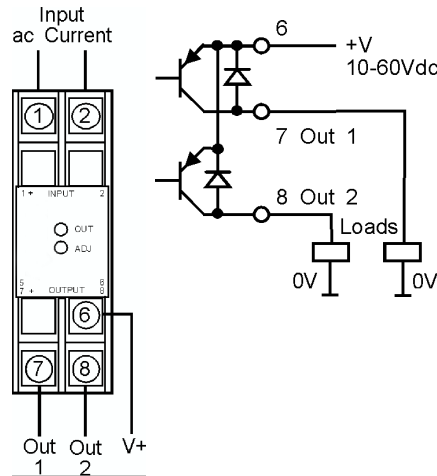
The BCM270 provides an economical and compact solution to monitoring of ac loads. When used with the internal CT and the solid state output the BCM270 is powered from the incoming AC-current taking only 1.6VA from the driving current. Loads such as motors or heaters can be directly connected to the BCM270. The 15 turn threshold adjustment enables precise setting over the entire operating range. The front mounted LED indicates when the input is over the threshold setting. The output can be two NPN transistors or relay contact.



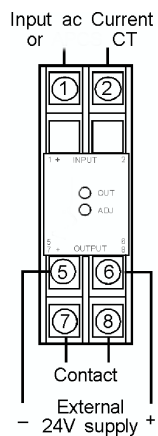
## Sold State Output

The solid state output consists of two PNP transistors suited to operate PLC inputs or external relays. The two outputs give a three state output as follows.

Status	Out 1	Out 2
No current	OFF	OFF.
Low current	OFF	ON
High current	ON	OFF



## Relay Contact Output

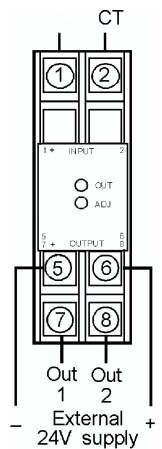


When using the internal relay option an external 24Vdc supply is required.

Also an external BASI transformer (input 5) can be used with a relay contact output.

## External BASI CT and Solid State Output

An external 24Vdc supply is required when using a solid state output with an external BASI transformer (input 5).



## Specifications

- Size: 23.5W x 71.5H x 109D (mm).
- Mounting: Clip for 35mm DIN-Rail.
- Housing material: ABS.
- Connection: Screw terminals.
- Protection class: IP40 (IP65 Enclosure opt.)
- Weight: 0.100 kg.
- Repeatability: 0.5%.
- Dead band: 10% of range.
- Response time: 0.2 Sec.
- Isolation: 3kV rms (internal CT).
- Overload: 6 x rated current for 10 Seconds.
- Inputs: See ordering guide.
- Solid state output: 2 x PNP common emitter open collector 10 - 60VDC / 50mA max.
- Relay contact output: 8A, 250Vac resistive. 3.5A, 250Vac inductive. 2kV isolation.  
Relay coil: 24V, 0.26W.  
The unit must be powered from 24V±20% for the relay to function.

Electromagnetic compatibility: Complies with AS/NZS 4251.1 CE,EN 50081.1)

**TYPE NO. DESIGNATION**

**Power Supply / Input:** \_\_\_\_\_

- 1 = 1 - 5A ac. (1.6VA)
- 2 = 2 - 16A ac (1.6VA).
- \*) 3 = 50 – 500mA (1VA).
- 4 = 0.1 – 1A (1VA).

The BCM270 is signal powered when used with inputs 1 to 4 and only requires a 24V supply if the relay output is used.

- 5 = Use with BASI external current transformer, specify one of the following and required scaling; 'SCT007' 40A, 'CT004' 100A, 'CCT005' 100A Clamp, 'SCT006' 100A Split Core. All external current transformers must be ordered separately.

When the BCM270 is used with external CT (input 5) then a 24V supply is required.

\*) 9 = Other (Specify).

**Frequency:** \_\_\_\_\_

- 1 = 50Hz ±10%.
- 2 = 60Hz ±10%.
- 3 = 400Hz ±10%.
- \*) 9 = Other (Specify).

**Output:** \_\_\_\_\_

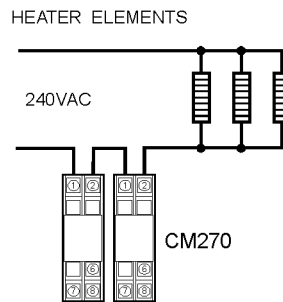
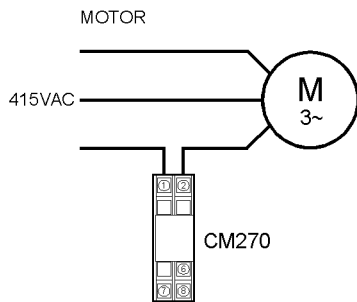
- 1 = 2 x PNP (Standard).
- \*) 2 = 24V relay N/O (8A, 250V resistive)
- \*) 3 = 24V relay N/C (8A, 250V resistive)
- \*) 9 = Other (Specify).

**Options:** \_\_\_\_\_

- 0 = None.
- \*) 1 = Reverse LED status indication (LED on when output off).

\*) = Price Extra.

**Application Examples**



In the interest of development and improvement, BASI reserve the right to amend, without notice, details contained in this publication. BASI will accept no legal liability for any errors, omissions or amendments.