



INDOOR TEMPERATURE SENSOR BTS220R

- Low cost
- Pt100 sensitive element
- -20 to 60 °C
- Compact design

DESCRIPTION

The indoor temperature sensor BTS220R measure temperature by means of a Pt100 sensitive element for fast reaction. BTS220R are enclosed in a freely mountable small plastic box. Measurement range from -20 °C to 60 °C as well as size, and affordable price, BTS220R are applicable for various indoor applications, room temperature control, control board temperature measurement, etc. All this, in addition to the small size, and the low price, make BTS220R a convenient solution for many Temperature measurement applications.

TECHNICAL SPECIFICATIONS

Casing material : ABS plastic
Pt-100 : -20 - +60°C

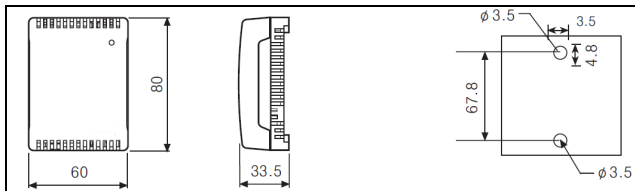
INSTALLATION

Ambient temp : -20 to 60°C
Mounting : Wall mount to IP20
Dimension : Refer to drawing

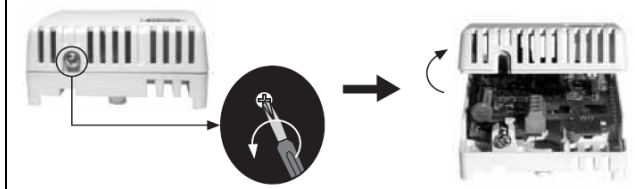
OUTPUT

Temperature : Pt100 signal

MECHANICAL SPECIFICATION



Unscrew the bolt on the bottom of product and separate the case.

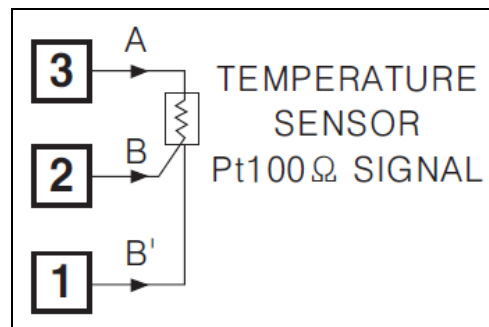


PERFORMANCE

Accuracy : ±0.5%
Response time : 0,5 sec
EMC : EN 50081-1, EN 50082-2
 73/23/EEC & 89/336/EEC



CONNECTION



ORDER INFORMATION BTS220R



BASI Instrument AB
 P.O. Box 53

Tel: +46 40-880 09
 SE-275 06 VOLLSJÖ...SWEDEN

Fax: +46 40-92 98 77
 E-mail: info@basi.se

Indoor temperature sensor **BTS220R**

No. **DS13 :12-E** Issue: **5** 25/02/11