

- Low cost
- Temperature compensation system
- RH/T programmable conversion modes
- 2-wire temperature transmitter available
- IP66 protection
- Optional stainless steel sintered filter

DESCRIPTION

BRHT200 is using thin-film sensor with capacitance changing proportionally to medium relative humidity, BRHT200 measures RH of air and non-aggressive gases and converts it into standard 4...20mA 2-wire signal. A built-in temperature drift compensation system guarantees good stability of measurement and an additional temperature sensor or second 2-wire transmitter may be built-in for measurement of both medium relative humidity and temperature. The RH transmitter is factory calibrated and does not need custom adjustment, while the temperature transmitter can be additionally calibrated on-site. The device is available in 3 variants with different mounting and temperature ranges.

All this, in addition to the high protection class, the small size, and the low price, make RHT a convenient solution for many RH measurement applications.

TECHNICAL SPECIFICATIONS

Casing material : ABS plastic
Pt-100 to 1000 : -20 - +90°C
Humidity range : 0-100% (Capacitive sensor)

INSTALLATION

Supply : 8 - 36 VDC
Ambient temp : -10 to 60°C
Mounting : Field mount to IP65
Dimension : Refer to drawing

OUTPUT

Humidity : 4-20mA (2-wire)
Temperature : 4-20mA (2-wire)
Load : 0 - 700Ω at 24VDC

MECHANICAL SPECIFICATION

Variant	A	B	D
Specifications			
Case material	PCM (polycarbonate)	PVC	stainless steel ⁽¹⁾
Medium temperature	-10...80 °C	-10...75 °C	-20...85 °C ⁽¹⁾
Steam length (mm)	-	100...500 mm	100...500 mm
Weight	max. 190 g	up to 200 g	up to 300 g
Mounting	wall	In-hole (PVC Range DN16 ⁽¹⁾) or free	In-hole (SS Range DN16 ⁽¹⁾) or free



PERFORMANCE

Accuracy : ±0.2%(Temp) ±1% (RH)
Burnout : More than 22mA
Response time : 5 sec
EMC : EN 50081-1, EN 50082-2
 73/23/EEC & 89/336/EEC



ORDER INFORMATION

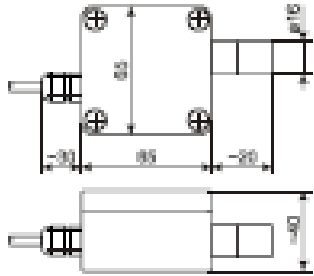
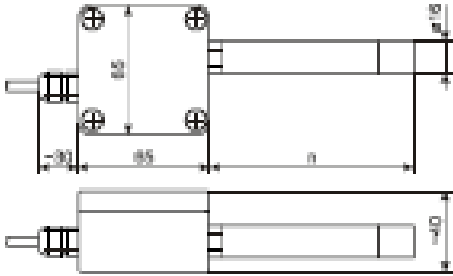
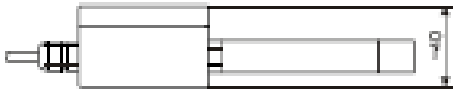
BRHT-200

TYPE	STEAM LENGTH	TEMPERATURE
A Wall mounting	X 100-500mm	X None
B For hole mounting	in step 10mm	D Pt-100
D High temperature version	(Do not code for type A)	F Pt-500 G Pt-1000 TT 2-wire transmitter

SINTERED FILTER

X None
 S Sintered filter

MECHANICAL SPECIFICATION

Variant	A	B	D
Specifications			
Shell material	PCW (polyacetat)	PVC	stainless steel ⁽¹⁾
Medium temperature	-10...80 °C	-10...70 °C	-20...80 °C ⁽²⁾
Shell length (r)	-	100...500 mm	100...300 mm
Weight	max. 150 g	up to 200 g	up to 300 g
Mounting	wall	in-hole (PVC flange DN16 ⁽³⁾) or free	in-hole (SS flange DN16 ⁽³⁾) or free