

Junction box

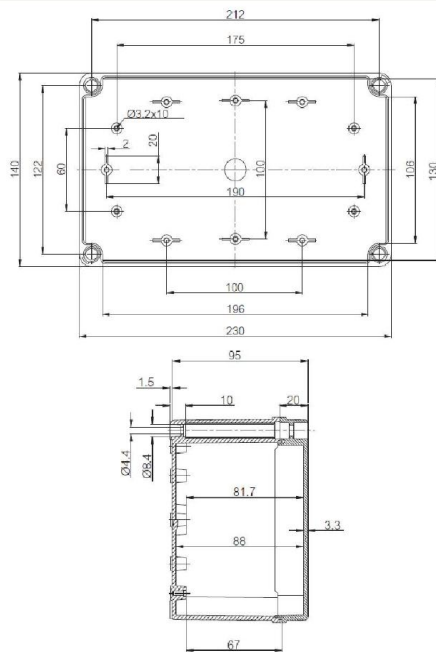
BP-4, BP-6

junction box enables the parallel connection of up to 6 load cells in a 4-wire or 6-wire circuit
IP 65 protection class

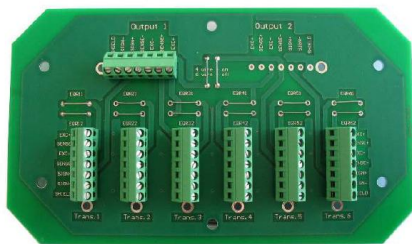


Junction box allows for quick and easy connection from 2 up to 6 load cells in multisensor systems, such as tank scales. The large enclosure of the junction box lets you put excess cable of the load cells inside the box (the cable length shortening is not recommended).

Case dimensions



PCB board view (for BP-6)

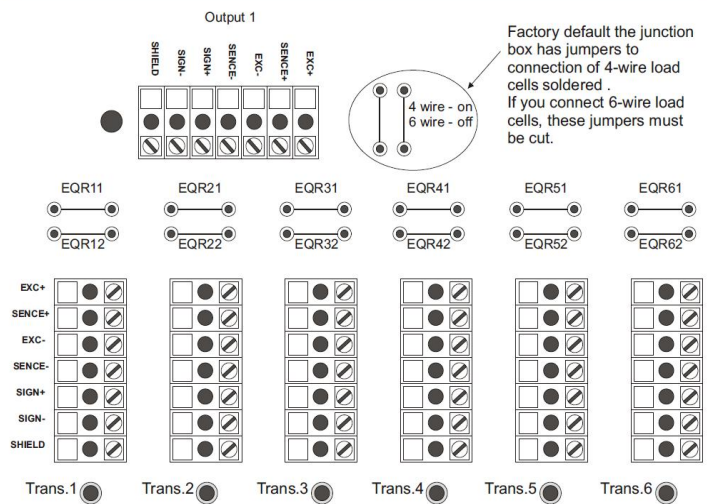


Ordering

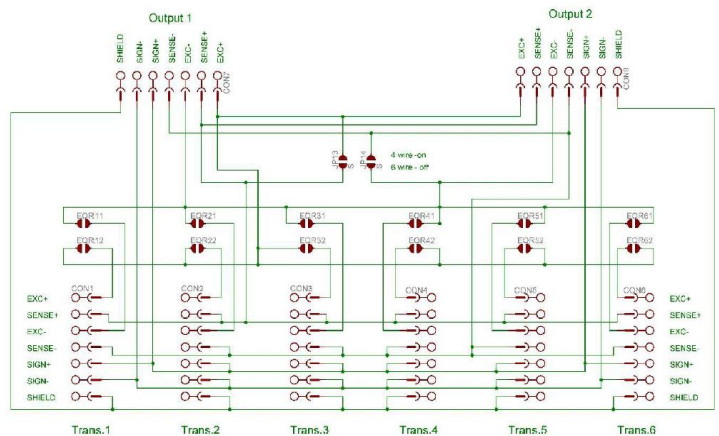
BP-X
 load cells connected to the junction box:
 4: up to 4
 6: up to 6

V.11.11.1

Connections (for BP-6)



Wiring diagram (for BP-6)



Technical data

Number of load cells: max. 6 load cells in a 4-wire or 6-wire circuit
 Operating temperature: $-10^{\circ}\text{C} \div +60^{\circ}\text{C}$
 Storage temperature: $-25^{\circ}\text{C} \div +85^{\circ}\text{C}$
 Protection class: IP 65
 Case: wall mounting
 Case material: ABS
 Upper plate screws material: Polyamide
 Case dimensions: 230 x 140 x 95 mm
 Mounting holes spacing: 212 x 122 mm